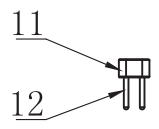
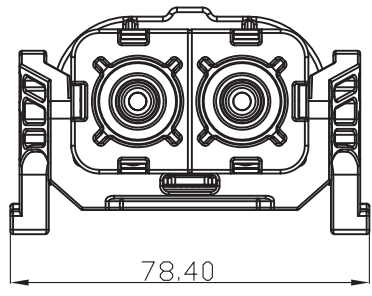
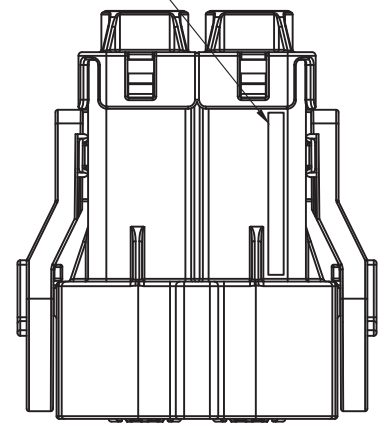


ECN NO.	REV	DATE	DESCRIPTION	MDF'D	APP'D
	A0	2023.1.3	Initial version	ZsH	Qilin



- Material: Contact: Copper alloy, silver plating
Housing: PA66+GF
Insulating plastic: nylon, flame retardant grade: UL94 V-0
Waterproof part: silicone rubber
- Rated voltage: 830V AC/DC
- Rated current: 120A (Adapt to 25mm² cables)
Rated current: 150A (Adapt to 35mm² cables)
Rated current: 200A (Adapt to 50mm² cables)
Rated current: 250A (Adapt to 70mm² cables)
- Withstand voltage: 3000V AC (1 Minutes)
- Insulation resistance:>5000M Ω (normal state)
- Working temperature: - 40 C ~+125 C
- Mechanical life: ≥ 500 times
- Waterproof grade: IP67 (matching state)
- Product meets environmental RoHS requirements
- With or without high-voltage interlock (Optional)
- Insertion force ≤ 100N, Pullout force ≤ 80N

Coding rules for laser lettering

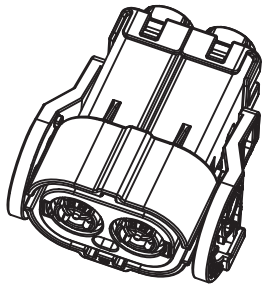
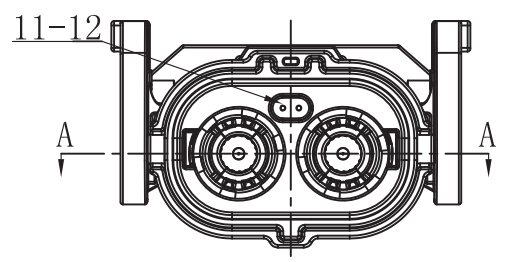
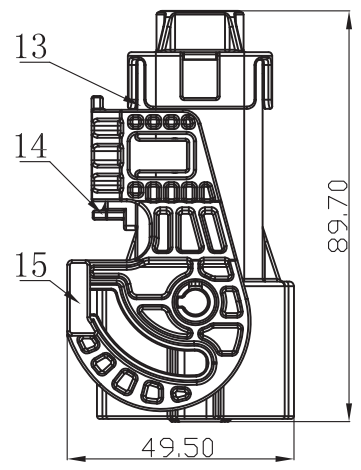
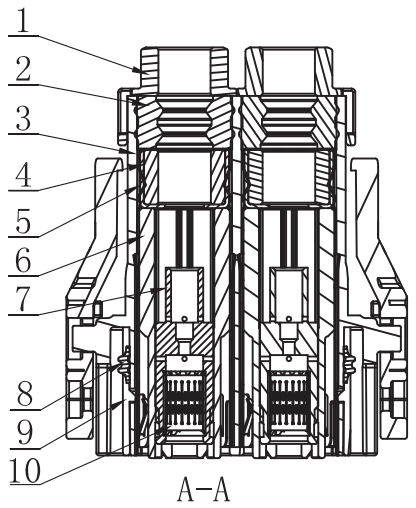


part no code

04-IV XX X X-X XY-X 03

series ——— 03: Serial number
High voltage ——— 0: No distinction
01:1 ——— P: Plug
02:2 ——— S: Socket
03:3 ——— X: X Key
and so on ——— N: N
0: Unlimited ——— W: W
interlocking ——— A: A
Y: high-handed ——— Z: Z
X: Unlimited ——— Y: Y
high-handed ——— 0: Not involved
1: Shielding wire
2: Unshielded wire

15	X10-P02-H08S1-B11	8mm Plug assist handle	1 PCS
14	X10-P02-H08S1-B13	8mm Plug latch	1 PCS
13	X10-P02-H08S1-N01	8mm Shell N Key	1 PCS
12	X10-P02-H10S1-H15	Interlock terminal	2 PCS
11	X10-P02-H10S1-H14	Interlock terminal plate	1 PCS
10	X10-P02-H08S1-H08	8mm Spring	2 PCS
9	X10-P02-H08S1-B05	8mm Plug front bezel	1 PCS
8	X10-P02-H08S1-G04	8mm Plug front Oring	1 PCS
7	See List	8mm body	2 PCS
6	X10-P02-H08S1-B02	8mm Plug inner sheath	2 PCS
5	See List	Plug shield outer ring	2 PCS
4	See List	Plug shield inner ring	2 PCS
3	X10-P02-H08S1-H03	8mm Plug shield	2 PCS
2	See List	Plug cable seal	2 PCS
1	See List	Plug back cover	2 PCS
No	Part No	Part Name	Number



General Tolerance	Angle Tolerance
X ±0.5 .X ±0.2 .XX ±0.1	±1°
Unless otherwise specified, dimensions are in metric and tolerances are	
MATL: SEE-NOTES	

HV Metal Connector

DESIGNER	ZsH	TITLE:	X10 High Voltage Metal Connector		
CHECKED	ZsH	PARTS NO:	X10-P02-H08S1-N0X		
APPROVAL	Qilin	(UNIT):	mm	(SCALE):	1:1 (SHT): 1/1

series	Part No	Drawing No	Plug back cover	Plug cable seal	Plug shield inner ring	Plug shield outer ring	8mm body
X10-P02-H08S1-N0A	A1-XXC110PA01	04-IV02Y1-N16-P10	X10-P02-H08S1-B08	X10-P02-H08S1-G07	X10-P02-H08S1-B06	X10-P02-H08S1-H06	X10-P02-H08S1-416
X10-P02-H08S1-N0B	A1-XXC110PA03	04-IV02Y1-N25-P10	X10-P02-H08S1-B09	X10-P02-H08S1-G09	X10-P02-H08S1-H09	X10-P02-H08S1-H09	X10-P02-H08S1-412
X10-P02-H08S1-N0C	A1-XXC110PA09	04-IV02Y1-N35-P10	X10-P02-H08S1-B10	X10-P02-H08S1-G08	X10-P02-H08S1-H10	X10-P02-H08S1-H10	X10-P02-H08S1-413

CUSTOMER-DRAWING