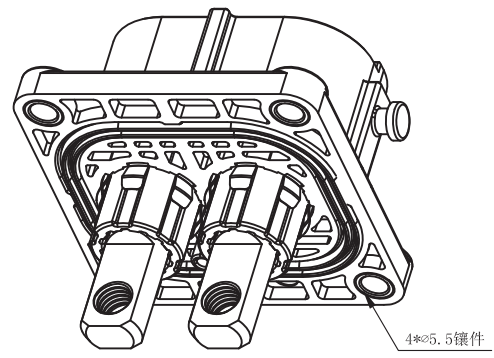
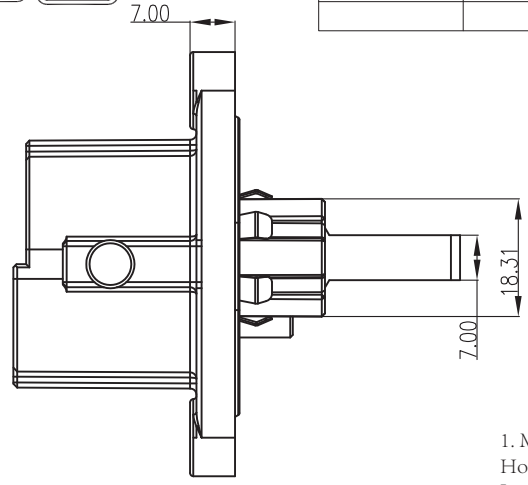
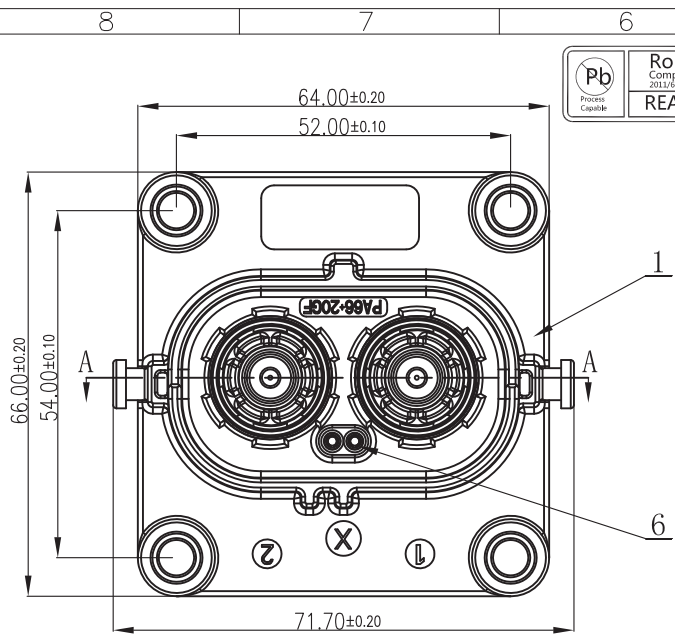


ECN NO.	REV	DATE	DESCRIPTION	MDF'D	APP'D
	A0	2023.1.3	Initial version	ZsH	Qilin



- Material: Contact: Copper alloy, silver plating
Housing: PA66+GF
Insulating plastic: nylon, flame retardant grade: UL94 V-0
Waterproof part: silicone rubber
- Rated voltage: 830V AC/DC
- Rated current: 120A (Adapt to 25mm² cables)
Rated current: 150A (Adapt to 35mm² cables)
Rated current: 200A (Adapt to 50mm² cables)
Rated current: 250A (Adapt to 70mm² cables)
- Withstand voltage: 3000V AC (1 Minutes)
- Insulation resistance:>5000M Ω (normal state)
- Working temperature: - 40 C ~+125 C
- Mechanical life: ≥ 500 times
- Waterproof grade: IP67 (matching state)
- Product meets environmental RoHS requirements
- With or without high-voltage interlock (Optional)

part no code

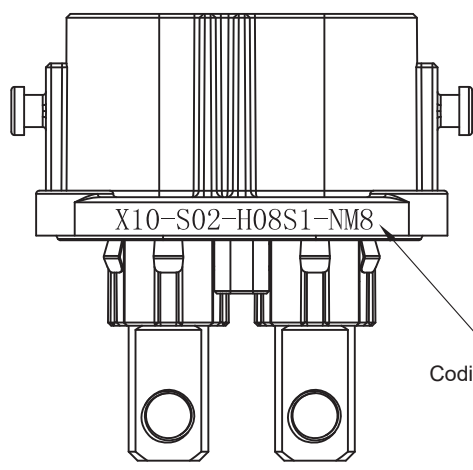
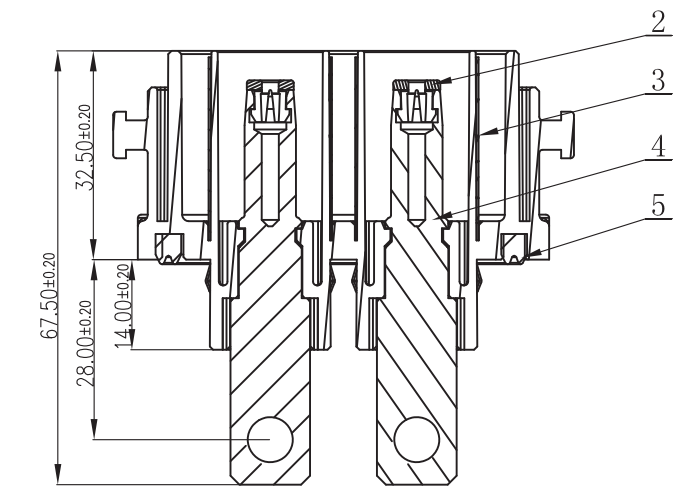
04-HV	XX	X	X-X	XX-X	03
-------	----	---	-----	------	----

series High voltage

01:1
02:2
03:3
and so on

0: Unlimited interlocking
Y: high-handed
N: Unlimited high-handed
0: Not involved
1: Shielding wire
2: Unshielded wire

03: Serial number
0: No distinction
P: Plug
S: Socket
03: 3mm² Cable
04: 4mm² Cable
N: N
05: 5mm² Cable
W: W
06: 6mm² Cable
A: A and so on
Z: Z
00: 0.5-0.75mm² Cable
Y: Y
02: 2.5mm² Cable



Coding rules for laser lettering

6	2A109-13212A0	20# assembly	2 PCS	share A1-XXC109P111
5	X10-S02-H08S1-G04	8mm Socket seal	1 PCS	
4	X10-S02-H08S1-H10	8mm pin with M8 threaded hole	2 PCS	
3	X10-S02-H08S1-H03	Socket shield	2 PCS	
2	X01-S01-T08SH-007	8mm Pin anti electric shock cap	2 PCS	
1	see list 1	8mm Socket housing	1 PCS	
No	Part No	Part Name	number	backup

General Tolerance	Angle Tolerance
X ±0.5 .X ±0.2 .XX ±0.1	±1°
Unless otherwise specified, dimensions are in metric and tolerances are	
MATL: SEE-NOTES	

POWER DYNAMICS INC.				
145 Algonquin Parkway, Whippany, NJ 07981				
Phone: 1-973-560-0019		e-mail: sales@powerdynamics.com		www.powerdynamics.com
DESIGNER	ZsH	TITLE:	X10 High Voltage Plastic Connector	
CHECKED	ZsH	PARTS NO:	X10-S02-H08S1-NM8	
APPROVAL	Qilin	(UNIT): mm	(SCALE): 1:1	(SHT): 1/1

List1

series	Part No	Drawing No	8MM Socket housing	remarks
X10-S02-H08S1-NM8	A1-XXC110SA01	04-HV02Y1-N35-S10	X10-S02-H08S1-N01	(N. W. X) Key 4* φ 5.5
X10-S02-H08S1-WM8	A1-XXC110SA02	04-HV02Y1-W35-S10	X10-S02-H08S1-W01	
X10-S02-H08S1-XM8	A1-XXC110SA03	04-HV02Y1-X35-S10	X10-S02-H08S1-X01	

CUSTOMER-DRAWING