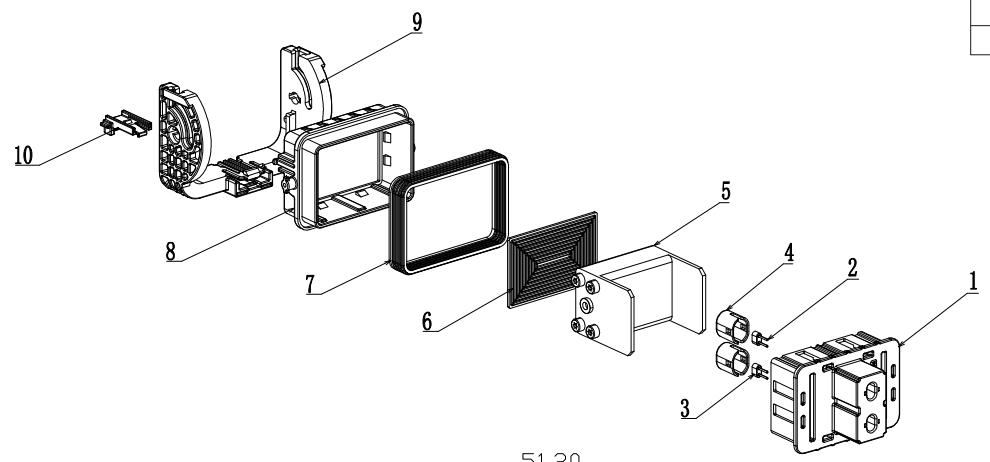
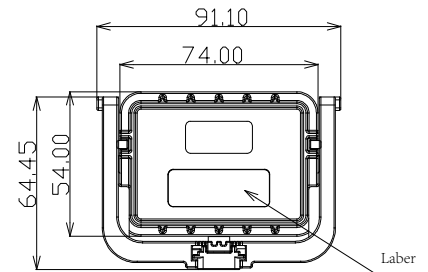
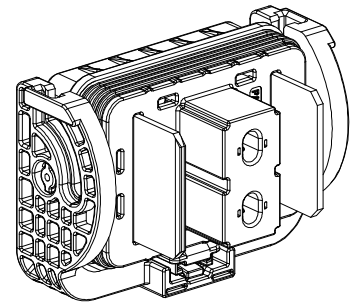
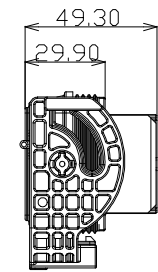
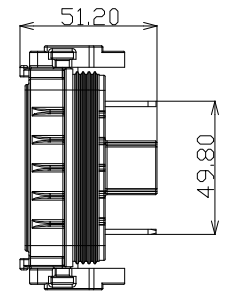


8	7	6	5	4	3	2	1
ECN NO.	REV	DATE	DESCRIPTION		MDF'D	APP'D	
	A0	2023.2.10	Initial version		ZsH	Qilin	



1. Material: Contact: Copper alloy, silver plating
Housing: PA66+GF
Insulating plastic: nylon, flame retardant grade: UL94 V-0
Waterproof part: silicone rubber
2. Rated voltage: 660V DC MAX (Fuse)
3. Rated current: 80~400A (MAX)
4. Withstand voltage: 3000V AC (1 Minutes)
5. Insulation resistance:>2000M Ω (normal state)
6. Working temperature: - 40 °C ~+125 °C
7. Mechanical life: ≥ 200 times
8. Waterproof grade: IP67 (matching state)
9. Product meets environmental RoHS requirements
10. With or without high-voltage interlock (Optional)
11. Insertion force ≤ 75N, Pullout force ≤ 75N



No	Name	PN	NUM	Backup
11	MSD parameter labels	XX112-WXK-W08S5-B02	1 PCS	
10	MSD push rod latch	XX112-WXK-W10S1-B12	1 PCS	Shared XX112-WXK-W10SN-000
9	MSD booster handle	XX112-WXK-W08S1-B07	1 PCS	
8	MSD plug sheath	XX112-WXK-W08S1-B02	1 PCS	
7	MSD plug sealing	XX112-WXK-W08S1-G06	1 PCS	
6	MSD plug gasket	XX112-WXK-W08S1-G11	1 PCS	
5	FWX fuse	list2	1 PCS	
4	MSD plug inner pressure sleeve	XX112-WXK-W10S1-B05	2 PCS	
3	Interlocking terminal strips	X10-P02-H10S1-H14	2 PCS	Shared XX112-WXK-W10SN-000
2	Interlocking terminals	X10-P02-H10S1-H15	4 PCS	
1	MSD plug lower sheath	XX112-WXK-W08S1-B01	1 PCS	

Fuse specifications	PN	Fuse
400A	XX112-WXK-W08SN-400	XX112-WXK-W08S6-R08
350A	XX112-WXK-W08SN-350	XX112-WXK-W08S5-R08
300A	XX112-WXK-W08SN-300	XX112-WXK-W08S4-R08
250A	XX112-WXK-W08SN-250	XX112-WXK-W08S3-R08
200A	XX112-WXK-W08SN-200	XX112-WXK-W08S2-R08
160A	XX112-WXK-W08SN-160	XX112-WXK-W08S1-R08

General Tolerance	Angle Tolerance
X ±0.5 .X ±0.2 .XX ±0.1	±1°
Unless otherwise specified, dimensions are in metric and tolerances are	
MATL: SEE-NOTES	
CUSTOMER-DRAWING	

POWER DYNAMICS INC.
145 Algonquin Parkway, Whippany, NJ 07981
Phone: 1-973-560-0019 e-mail: sales@powerdynamics.com www.powerdynamics.com

DESIGNER	ZsH	TITLE:	XX112 High Voltage Metal Connector
CHECKED	ZsH	PARTS NO:	XX112-WXK-W08SN-XXX (Plug)
APPROVAL	Qilin	(UNIT):	mm (SCALE): 1:1 (SHT): 1/1