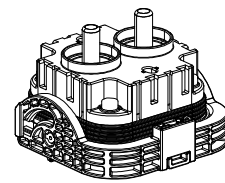
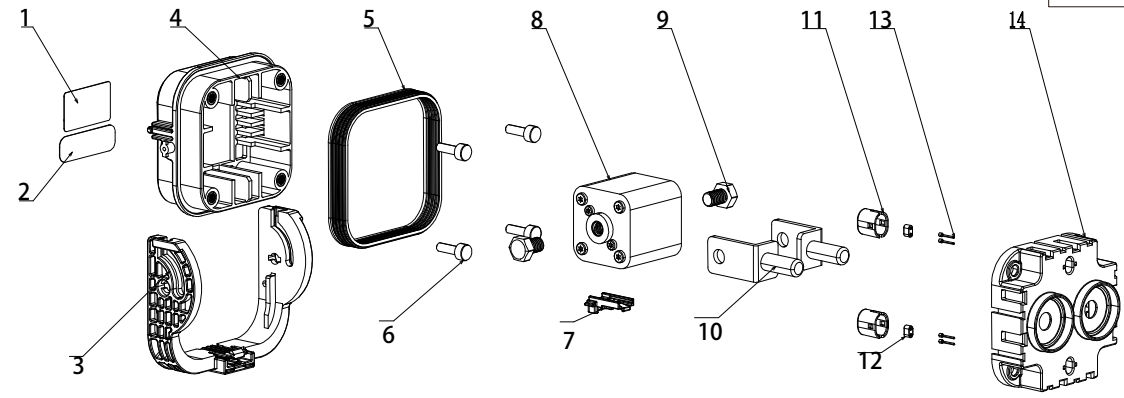
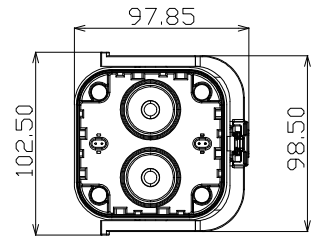
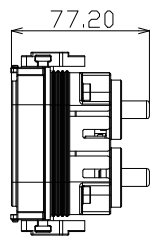
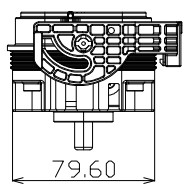


ECN NO.	REV	DATE	DESCRIPTION	MDF'D	APP'D
	A0	2023.2.10	Initial version	ZsH	Qilin



1. Material: Contact: Copper alloy, silver plating
Housing: PA66+GF
Insulating plastic: nylon, flame retardant grade: UL94 V-0
Waterproof part: silicone rubber
2. Rated voltage: 660V DC MAX (Fuse)
3. Rated current: 80~400A
4. Withstand voltage: 3000V AC (1 Minutes)
5. Insulation resistance: >2000M Ω (normal state)
6. Working temperature: - 40 C ~+125 C
7. Mechanical life: ≥ 200 times
8. Waterproof grade: IP67 (matching state)
9. Product meets environmental RoHS requirements
10. With or without high-voltage interlock (Optional)
11. Insertion force ≤ 75N, Pullout force ≤ 75N



List1			
14	MSD plug lower sheath	XX112-WXK-W10S1-B01	1 PCS
13	Interlocking terminals	X10-P02-H10S1-H15	4 PCS
12	Interlocking terminal strips	X10-P02-H10S1-H14	2 PCS
11	MSD plug inner pressure sleeve	XX112-WXK-W10S1-B05	2 PCS
10	Pin holder	XX112-WXK-W10S1-H10-A2	PCS
9	Hexagon socket bolt (M8*10)	B01-M08-010-00001	2 PCS
8	Fuse A	List2	1 PCS
7	MSD push rod latch	XX112-WXK-W10S1-B12	1 PCS
6	Hexagon socket bolt (M5*12)	B01-M05-012-00001	4 PCS
5	MSD plug sealing	XX112-WXK-W10S1-G06	1 PCS
4	MSD plug sheath	XX112-WXK-W10S1-B02	1 PCS
3	MSD booster handle	XX112-WXK-W10S1-B07	1 PCS
2	MSD parameter label A	List2	1 PCS
1	MSD Tags	XX112-WXK-W10S1-BQ1	1 PCS
No	Name	Pn	NUM

List2:			
Fuse spec	PN	Fuse A	MSD parameter label A
630A	XX112-WXK-W10SN-630	XX112-WXK-W10S1-R08	XX112-WXK-W10S2-BQ2
500A	XX112-WXK-W10SN-500	XX112-WXK-W10S2-R08	XX112-WXK-W10S2-BQ2
400A	XX112-WXK-W10SN-400	XX112-WXK-W10S3-R08	XX112-WXK-W10S3-BQ2
350A	XX112-WXK-W10SN-350	XX112-WXK-W10S4-R08-1	XX112-WXK-W10S4-BQ2-1
300A	XX112-WXK-W10SN-300	XX112-WXK-W10S4-R08	XX112-WXK-W10S4-BQ2
250A	XX112-WXK-W10SN-250	XX112-WXK-W10S5-R08	XX112-WXK-W10S5-BQ2

General Tolerance	Angle Tolerance
X ±0.5 .X ±0.2 .XX ±0.1	±1°
Unless otherwise specified, dimensions are in metric and tolerances are	
MATL: SEE-NOTES	
CUSTOMER-DRAWING	

POWER DYNAMICS INC.			
145 Algonquin Parkway, Whippany, NJ 07981			
Phone: 1-973-560-0019		e-mail: sales@powerdynamics.com	
www.powerdynamics.com			
DESIGNER	ZsH	TITLE: XX112 High Voltage Metal Connector	
CHECKED	ZsH	PARTS NO: XX112-WXK-W10SN-XXX (Plug)	
APPROVAL	Qilin		(UNIT): mm (SCALE): 1:1 (SHT): 1/1