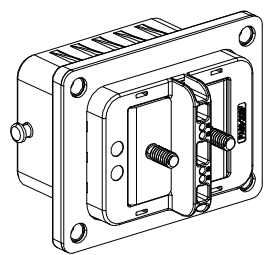
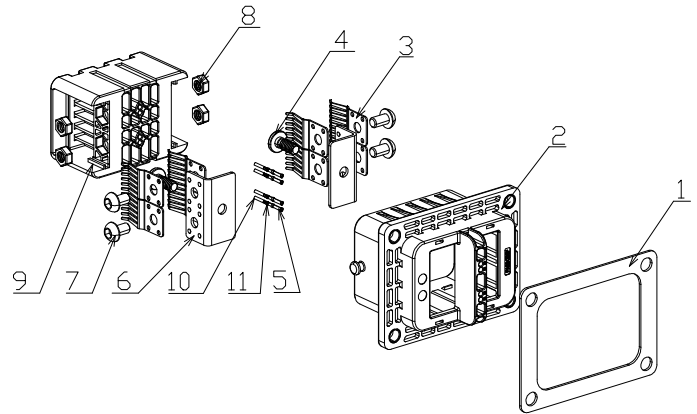
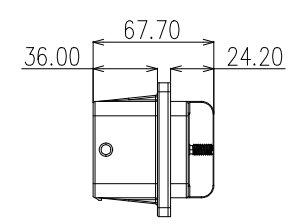
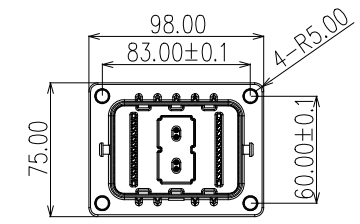
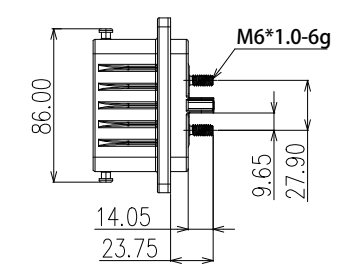


ECN NO.	REV	DATE	DESCRIPTION	MDF'D	APP'D
	A0	2023.2.3	Initial version	ZsH	Qilin



- 1. Material: Contact: Copper alloy, silver plating  
Housing: PA66+GF  
Insulating plastic: nylon, flame retardant grade: UL94 V-0  
Waterproof part: silicone rubber
- 2. Rated voltage: 660V DC.MAX
- 3. Rated current: 200A
- 4. Withstand voltage: 3000V AC (1 Minutes)
- 5. Insulation resistance:>2000M Ω (normal state)
- 6. Working temperature: - 40 C ~+125 C
- 7. Mechanical life: ≥ 200 times
- 8. Waterproof grade: IP67 (matching state)
- 9. Product meets environmental RoHS requirements
- 10. With or without high-voltage interlock (Optional)
- 11. Insertion force ≤ 75N, Pullout force ≤ 75N



List1				
No	Name	Pn	NUM	Backup
11	6 core plug tooth sleeve	XX103-01-01-02C	4 PCS	Shared 2A109-13212A0 product parts
10	Sleeve	XX103-01-01-03F	4 PCS	
9	MSD socket inner pressure block	XX112-WXK-W08S1-B09	1 PCS	
8	M6-5 stainless steel hexagon nuts	B01-M60-005-00001	4 PCS	
7	Hexagon socket bolts	B01-M60-010-00002	4 PCS	Shared XX112-WXK-W10SN-000
6	MSD socket copper platen	XX112-WXK-W08S1-H05	2 PCS	
5	Signal female pin with 0.75mm <sup>2</sup> wire	X01-P01-H0000-H05-A	4 PCS	Shared 2A109-13212A0
4	M6 threaded post	XX112-WXK-W08S1-HM6	2 PCS	
3	MSD Socket Copper Female Piece	XX112-WXK-W08S1-H08	8 PCS	
2	MSD socket housing - with Φ6 insert	XX112-WXK-W08S1-B03	1 PCS	
1	MSD socket spacer	XX112-WXK-W08S1-G04	1 PCS	

Part 1 Housing pre-assembly	Part 2 Signal female pin with 0.75mm <sup>2</sup> wire
Part 1,2,3,4,6,7,8,9 Pre-assembled together	Part 5,10,11

General Tolerance	Angle Tolerance
X ±0.5 .X ±0.2 .XX ±0.1	±1°
MATL: SEE-NOTES	Unless otherwise specified, dimensions are in metric and tolerances are
CUSTOMER-DRAWING	

<b>POWER DYNAMICS INC.</b>				
145 Algonquin Parkway, Whippany, NJ 07981				
Phone: 1-973-560-0019		e-mail: sales@powerdynamics.com		www.powerdynamics.com
DESIGNER	ZsH	TITLE: XX112 High Voltage Metal Connector		
CHECKED	ZsH	PARTS NO: XX112-WXK-Z08QN-M06 (Socket)		
APPROVAL	Qilin		(UNIT): mm	(SCALE): 1:1 (SHT): 1/1