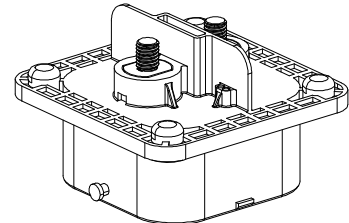
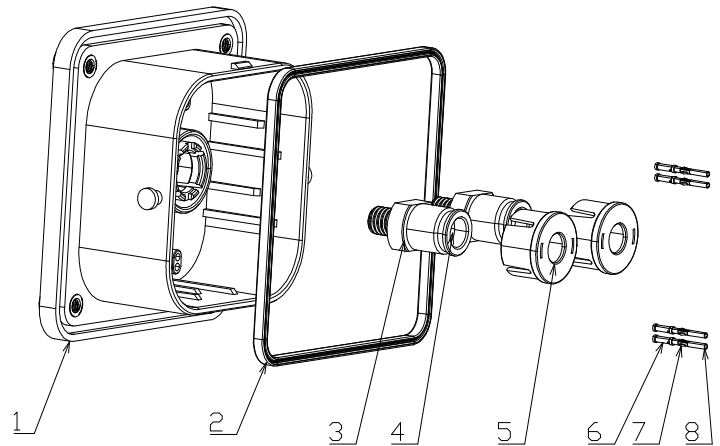
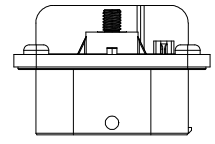


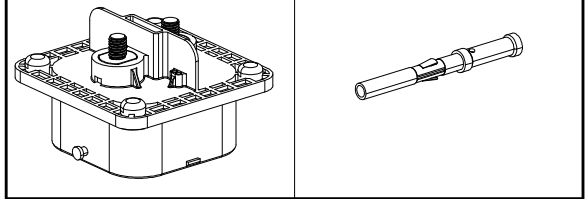
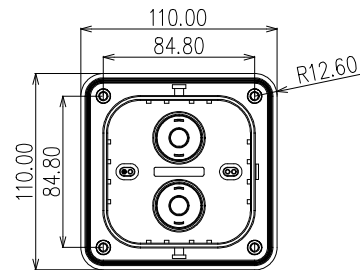
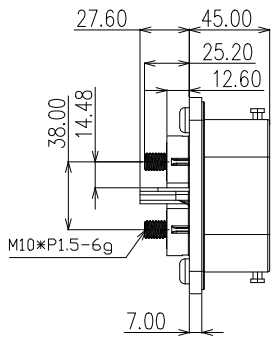
8	7	6	5	4	3	2	1
ECN NO.	REV	DATE	DESCRIPTION			MDF'D	APP'D
	A0	2023.2.10	Initial version			ZsH	Qilin



1. Material: Contact: Copper alloy, silver plating
Housing: PA66+GF
Insulating plastic: nylon, flame retardant grade: UL94 V-0
Waterproof part: silicone rubber
2. Rated voltage: 660V DC MAX (Fuse)
3. Rated current: 250A MAX , Signal 7A MAX
4. Withstand voltage: 3000V AC (1 Minutes)
5. Insulation resistance:>2000M Ω (normal state)
6. Working temperature: - 40 °C ~+125 °C
7. Mechanical life: ≥ 500 times
8. Waterproof grade: IP67 (matching state)
9. Product meets environmental RoHS requirements
10. With or without high-voltage interlock (Optional)
11. Insertion force ≤ 75N, Pullout force ≤ 75N



Part 1 Housing pre-assembly	Part 2 Signal female pin with 0.75mm^2 wire
Part 1,2,3,4,5 Pre-assembled together	Part 6,7,8

No	Name	Pn	NUM	Backup
8	Sleeve	XX103-01-01-03F	4 PCS	Shared 2A109-13212A0
7	6 core plug tooth sleeve	XX103-01-01-02C	4 PCS	
6	Signal female pin with 0.75mm^2 wire	X01-P01-H0000-H05-A	4 PCS	
5	MSD socket inner pressure sleeve	XX112-WXK-W10S1-B04	2 PCS	
4	10mm with spring	X10-P02-H10S1-H10	2 PCS	Shared XX112-WXK-Z10HN-T08
3	With M10 thread	XX112-WXK-W10SH-M10	2 PCS	
2	MSD socket sealing	XX112-WXK-W10S1-G11	1 PCS	
1	MSD socket housing	XX112-WXK-W10S1-B03	1 PCS	

General Tolerance	Angle Tolerance	POWER DYNAMICS INC. 145 Algonquin Parkway, Whippany, NJ 07981 Phone: 1-973-560-0019 e-mail: sales@powerdynamics.com www.powerdynamics.com			
X ±0.5	±1°	DESIGNER	ZsH	TITLE: XX112 High Voltage Metal Connector	
.X ±0.2		CHECKED	ZsH	PARTS NO: XX112-WXK-Z10HN-M10 (Plug)	
.XX ±0.1	Unless otherwise specified, dimensions are in metric and tolerances are	APPROVAL	Qilin		(UNIT): mm (SCALE): 1:1 (SHT): 1/1
MATL: SEE-NOTES		CUSTOMER-DRAWING			

D
C
B
A

D
C
B
A

8 7 6 5 4 3 2 1