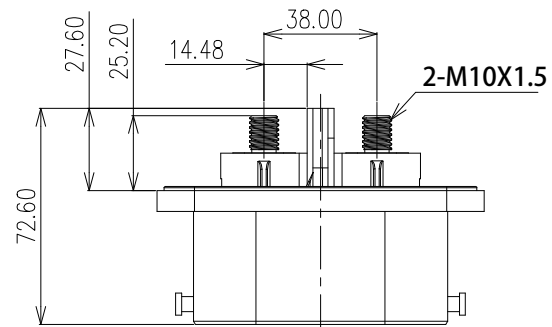
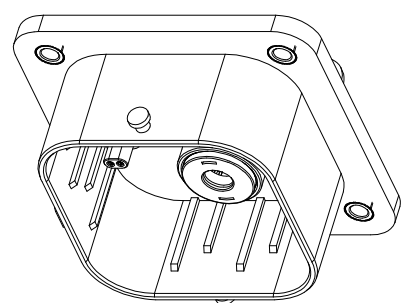
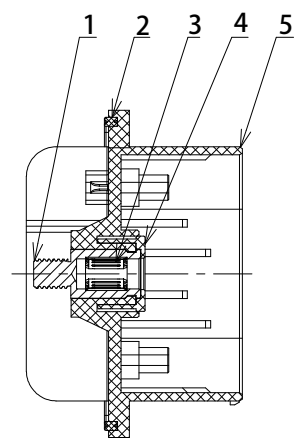


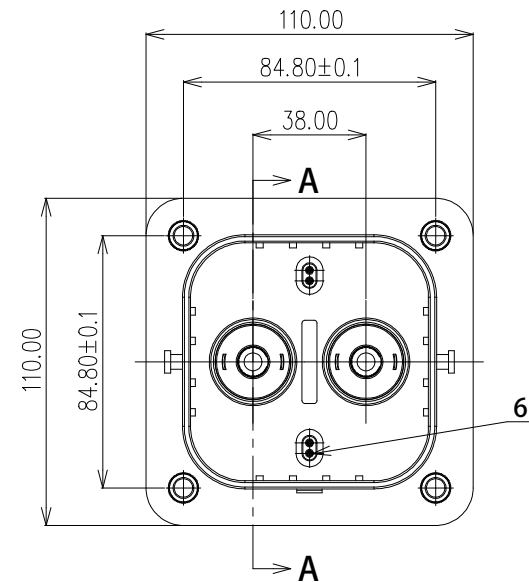
ECN NO.	REV	DATE	DESCRIPTION	MDF'D	APP'D
	A0	2023.2.10	Initial version	ZsH	Qilin



- Material: Contact: Copper alloy, silver plating
Housing: PA66+GF
Insulating plastic: nylon, flame retardant grade: UL94 V-0
Waterproof part: silicone rubber
- Rated voltage: 660V /700V DC MAX (Fuse)
- Rated current: 200~630A MAX Leakage current ≤ 5mA,
- Withstand voltage: 3000V AC (1 Minutes)
- Insulation resistance: >2000M Ω (normal state)
- Working temperature: - 40 C ~+125 C
- Mechanical life: ≥ 200 times
- Waterproof grade: IP67 (matching state)
- Product meets environmental RoHS requirements
- With or without high-voltage interlock (Optional)
- Insertion force ≤ 75N, Pullout force ≤ 75N



截面 A-A



No	Name	PN	NUM	Backup
6	20# Hole	2A109-13212A0	4 PCS	Shared XX109 series parts
5	MSD socket housing	XX112-WXK-W10S1-B03-A	1 PCS	
4	MSD socket internal pressure	XX112-WXK-W10S1-B04	2 PCS	Shared XX112-WXK-Z10HN-M10
3	10mm Spring	X10-P02-H10S1-H10	1 PCS	
2	MSD socket sealing	XX112-WXK-W10S1-G12	1 PCS	Shared XX112-WXK-Z10HN-M10
1	with M10 thread	XX112-WXK-W10SH-M10	2 PCS	Shared XX112-WXK-Z10HN-M10

General Tolerance	Angle Tolerance	POWER DYNAMICS INC.					
		145 Algonquin Parkway, Whippany, NJ 07981					
X ±0.5	±1°	Phone: 1-973-560-0019		e-mail: sales@powerdynamics.com		www.powerdynamics.com	
.X ±0.2		DESIGNER	ZsH	TITLE: XX112 High Voltage Metal Connector			
.XX ±0.1		CHECKED	ZsH	PARTS NO: XX112-WXK-Z10QN-M10 (Socket)			
MATL: SEE-NOTES	Unless otherwise specified, dimensions are in metric and tolerances are	APPROVAL	Qilin		(UNIT): mm	(SCALE): 1:1	(SHT): 1/1
CUSTOMER-DRAWING							