

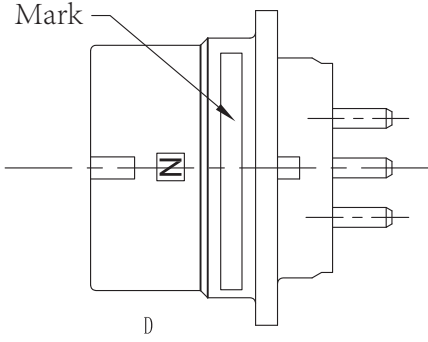
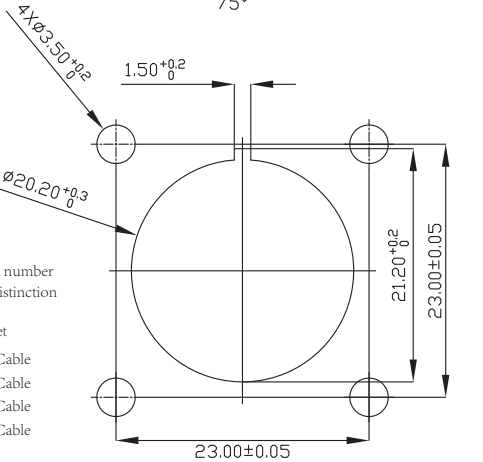
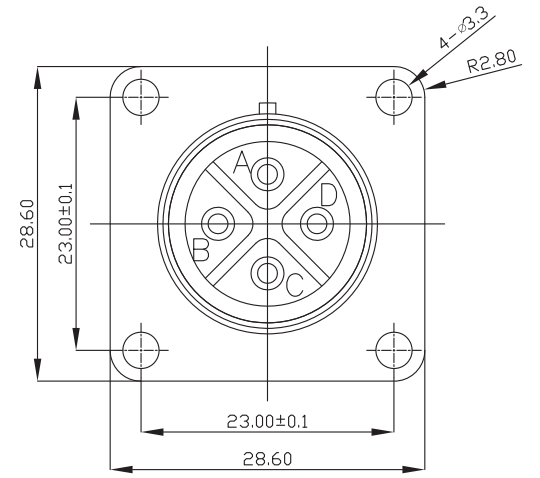
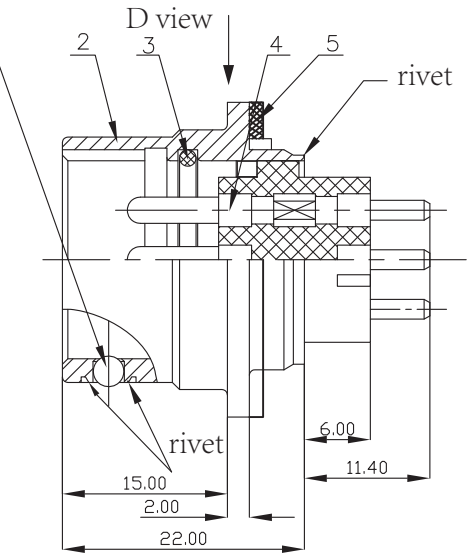
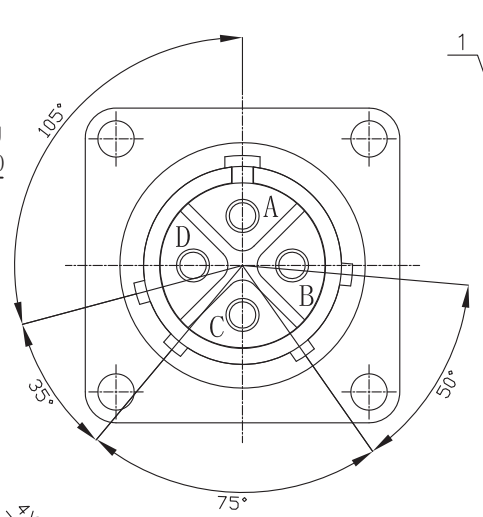
No.	Specification	Part No.	Drawing No.
01	XXC103-EV-P4ZA	A1-XXC103S001	04-HV0400-N-S03



ECN NO.	REV	DATE	DESCRIPTION	MDF'D	APP'D
	A0	2022.7.21	Initial version	ZsH	Qilin

**Coding rules for laser lettering**  
 XXC103-EV-P4ZA 20 F 10

Part No. \_\_\_\_\_  
 year: 2020 \_\_\_\_\_  
 month: A-1, B-2M, \_\_\_\_\_  
 Push in this way F is June \_\_\_\_\_  
 day:date of manufacture 10 \_\_\_\_\_



1. Material: Contact: Copper alloy, gold plated  
Housing: zinc alloy, nickel plated  
Insulating plastic: nylon, flame retardant grade: UL94 V-0  
Waterproof part: silicone rubber
2. Rated voltage: 250V AC
3. Rated current: 25A MAX
4. Withstand voltage: 1500V AC
5. Insulation resistance: >2000M Ω (normal state)
6. Working temperature: -40 °C ~ +125 °C
7. Mechanical life: ≥ 200 times
8. Waterproof grade: IP67 (matching state)
9. Product meets environmental RoHS requirements

**part no code**

04-HV XX X X-X XX-X 03

series \_\_\_\_\_  
 High voltage \_\_\_\_\_

01:1  
 02:2  
 03:3  
 and so on

0: Unlimited interlocking  
 Y: high-handed  
 N: Unlimited high-handed  
 0: Not involved  
 1: Shielding wire  
 2: Unshielded wire

03: Serial number  
 0: No distinction  
 P: Plug  
 S: Socket

03: 3mm² Cable  
 04: 4mm² Cable  
 05: 5mm² Cable  
 06: 6mm² Cable  
 and so on

X: X Key  
 N: N  
 W: W  
 A: A  
 Z: Z  
 Y: Y

00: 0.5-0.75mm² Cable  
 02: 2.5mm² Cable

Key NO Recommended installation dimensions

No	code	name	number
5	XX103-02-00-02A	4-core socket square gasket	1
4	XX103-02-01-00A	4-core mounting plate assembly	1
3	B04-012-018-00001	O ring 17*1.7 black color	1
2	XX103-02-00-01A	Socket housing	1
1	B16-027-000-00001	Ceramic ball φ 2.78	3

General Tolerance	Angle Tolerance
X ±0.5	±1°
.X ±0.2	Unless otherwise specified, dimensions are in metric and tolerances are
.XX ±0.1	
MATL: SEE-NOTES	

**POWER DYNAMICS INC.**  
 145 Algonquin Parkway, Whippany, NJ 07981  
 Phone: 1-973-560-0019 e-mail: sales@powerdynamics.com www.powerdynamics.com

DESIGNER	ZsH	TITLE:	XX103 High Voltage Metal Connector
CHECKED	ZsH	PARTS NO:	XXC103-EV-P4ZA
APPROVAL	Qilin	(UNIT): mm	(SCALE): 1:1 (SHT): 1/1