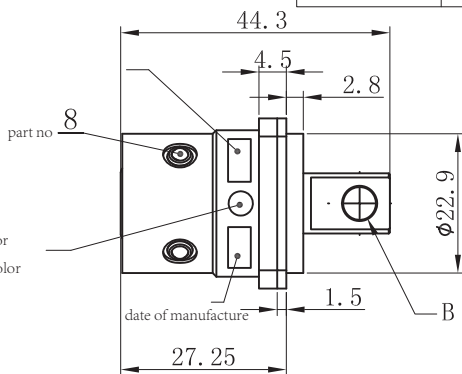
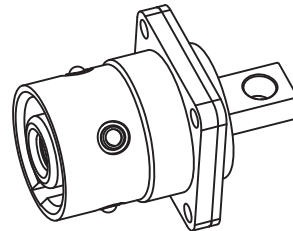
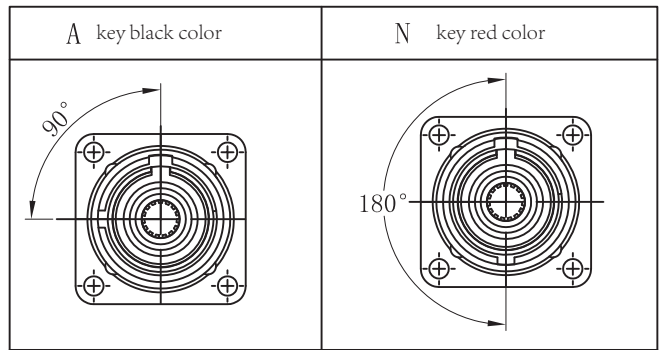
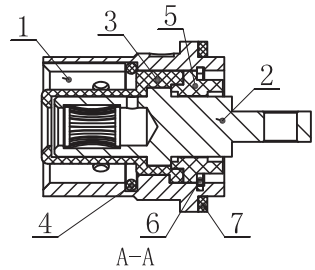
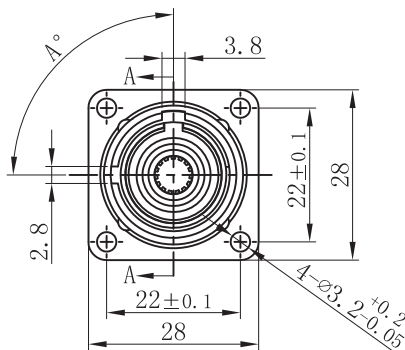


ECN NO.	REV	DATE	DESCRIPTION	MDF'D	APP'D
	A0	2022.6.20	Initial version	ZsH	Qilin



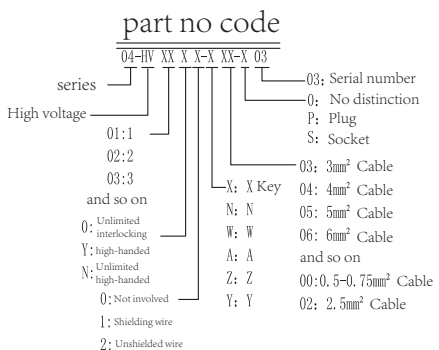
Painting
 N Key red color
 A Key black color

Coding rules for laser lettering
 XXC104-EV-P1ZA 21 A 10
 Part No.
 year: 2021
 month: A-1, B-2M,
 Push in this way A is January
 day: date of manufacture 10



List 1

- Material: Contact: Copper alloy, silver plating
Housing: alufer
Insulating plastic: nylon, flame retardant grade: UL94 V-0
Waterproof part: silicone rubber
- Rated voltage: 1000V AC/DC
- Rated current: 125A MAX
- Withstand voltage: 3000V AC (1 Minutes)
- Insulation resistance: >2000M Ω (normal state)
- Working temperature: -40 C ~ +125 C
- Mechanical life: ≥ 500 times
- Waterproof grade: IP67 (matching state)
- Product meets environmental RoHS requirements



8	B16-027-000-00001	Ceramic ball φ 2.78	4
7	XX104-02-00-03A	1-core socket square gasket	1
6	XX104-01-00-06A	∅21X1	1
5	XX104-01-00-05A	Plug and socket mounting plate	1
4	B04-021-018-00001	O ring 21*1.8 red color	1
3	XX104-02-00-02A	1-core mounting plate assembly	1
2	see list 1	φ 6 Copper hole	1
1	see list 1	Socket housing	1
No	Part No	Name	number

General Tolerance	Angle Tolerance	POWER DYNAMICS INC. 145 Algonquin Parkway, Whippany, NJ 07981			
X ±0.5	±1°	Phone: 1-973-560-0019	e-mail: sales@powerdynamics.com	www.powerdynamics.com	
.X ±0.2	Unless otherwise specified, dimensions are in metric and tolerances are	DESIGNER	ZsH	TITLE: XX104 High Voltage Metal Connector	
.XX ±0.1		CHECKED	ZsH	PARTS NO: XXC104-EV-P1ZA	
MATL: SEE-NOTES		APPROVAL	Qilin	(UNIT): mm	(SCALE): 1:1 (SHT): 1/1
CUSTOMER-DRAWING					