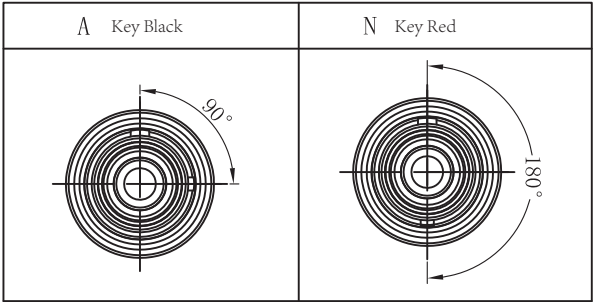
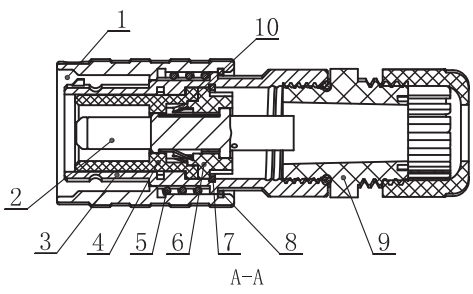
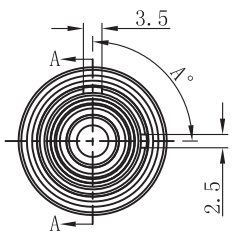
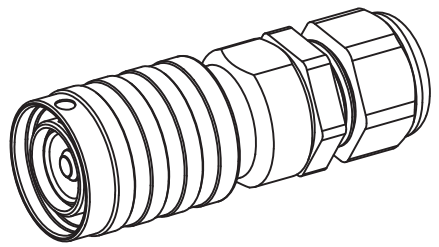
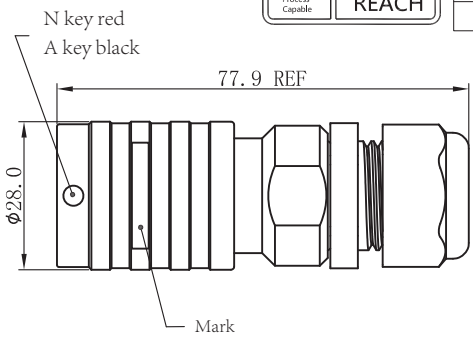
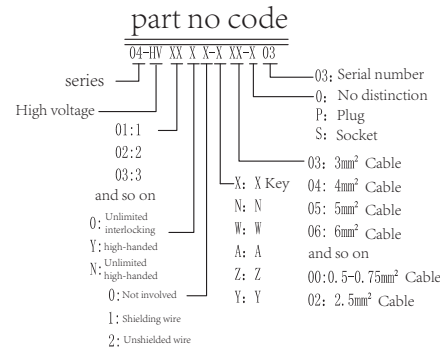


ECN NO.	REV	DATE	DESCRIPTION	MDF'D	APP'D
	A0	2022.7.3	Initial version	ZsH	Qilin



- Material: Contact: Copper alloy, silver plating
Housing: alufer
Insulating plastic: nylon, flame retardant grade: UL94 V-0
Waterproof part: silicone rubber
- Rated voltage: 1000V AC/DC
- Rated current: 10mm²:60A \ 16mm²:80A \ 25mm²: 125A
- Withstand voltage: 3000V AC (1 Minutes)
- Insulation resistance:>2000M Ω (normal state)
- Working temperature: - 40 C ~+125 C
- Mechanical life: ≥ 500 times
- Waterproof grade: IP67 (matching state)
- Product meets environmental RoHS requirements
- Insertion and extraction force ≤70N



10	X01-P01-T06SN-007	6mm Gear sleeve	1
9	See List	Plastic waterproof joint M20*1.5	1
8	XX103-01-00-05A	Connecting collar ø27*1	1
7	XX104-01-00-06A	collar ø21*1	1
6	XX104-01-00-05A	Plug socket rear mounting plate	1
5	XX104-01-00-03A	Spring	1
4	XX104-01-00-04A	Single core plug front mounting plate	1
3	See List	Single core plug housing	1
2	See List	ø6 Pin assembly	1
1	See List	Single core plug connection sleeve	1
No	Part No	Name	Number

General Tolerance	Angle Tolerance
X ±0.5 .X ±0.2 .XX ±0.1	±1°
Unless otherwise specified, dimensions are in metric and tolerances are	
CUSTOMER-DRAWING	

POWER DYNAMICS INC.			
145 Algonquin Parkway, Whippany, NJ 07981			
Phone: 1-973-560-0019		e-mail: sales@powerdynamics.com	
www.powerdynamics.com			
DESIGNER	ZsH	TITLE:	XXC104 High Voltage Metal Connector
CHECKED	ZsH	PARTS NO:	A1-XXC104P00X
APPROVAL	Qilin	(UNIT): mm	(SCALE): 1:1 (SHT): 1/1

Part No.	Specification	Material No.	Key	A'	Single core plug connection sleeve	*6 Pin assembly	Single core plug housing	Plastic waterproof joint	Adapter cable (mm ²)	Connecting sleeve
A1-XXC104P001	XXC104-EV-S1TA	04-HV0100-N10-P04	N	180°	XX104-01-00-01A	XX104-01-01-00A	XX104-01-00-02A	B13-M20*1.5-00002	10	red
A1-XXC104P002	XXC104-EV-S1TB	04-HV0100-N16-P04	N	180°	XX104-01-00-01A	XX104-01-01-00B	XX104-01-00-02A	B13-M20*1.5-00002	16	red
A1-XXC104P003	XXC104-EV-S1TE	04-HV0100-N25-P04	N	180°	XX104-01-00-01A	XX104-01-01-00C	XX104-01-00-02A	B13-M20*1.5-00003	25	red
A1-XXC104P004	XXC104-EV-S1TC	04-HV0100-A10-P04	A	90°	XX104-01-00-01C	XX104-01-01-00A	XX104-01-00-02C	B13-M20*1.5-00002	10	black
A1-XXC104P005	XXC104-EV-S1TD	04-HV0100-A16-P04	A	90°	XX104-01-00-01C	XX104-01-01-00B	XX104-01-00-02C	B13-M20*1.5-00002	16	black
A1-XXC104P006	XXC104-EV-S1TF	04-HV0100-A25-P04	A	90°	XX104-01-00-01C	XX104-01-01-00C	XX104-01-00-02C	B13-M20*1.5-00003	25	black