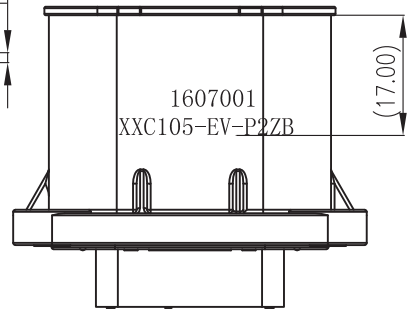
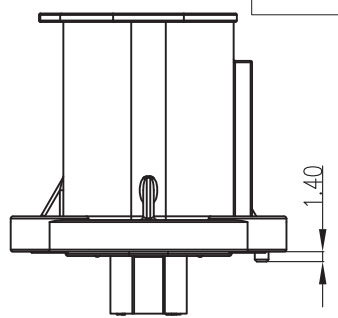
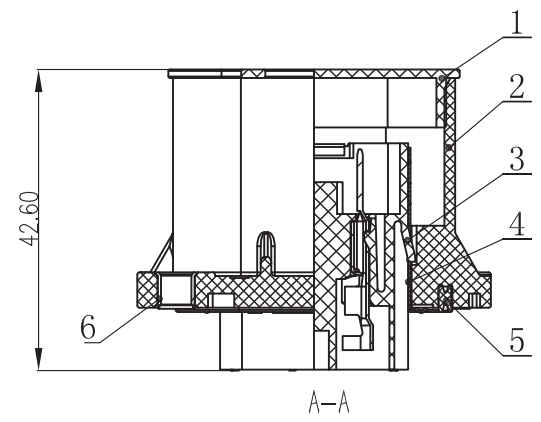
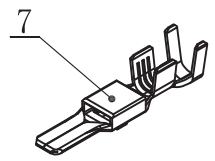
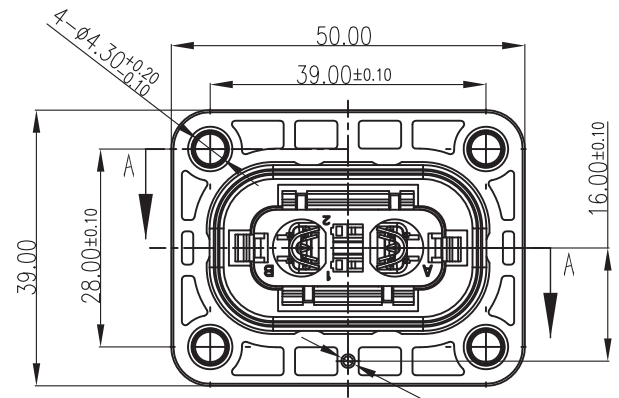


ECN NO.	REV	DATE	DESCRIPTION	MDF'D	APP'D
	A0	2022.5.15	Initial version	ZsH	Qilin



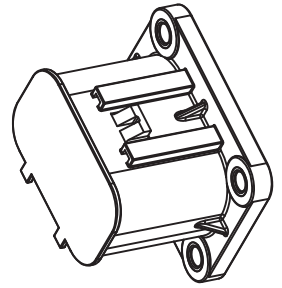
1. Material: Contact: Copper alloy, silver plating
Housing: PA66+GF
Insulating plastic: nylon, flame retardant grade: UL94 V-0
Waterproof part: silicone rubber
2. Rated voltage: 630V AC/DC
3. Rated current: 20A (Adapt to 2.5mm² cables)
Rated current: 25A (Adapt to 4.0mm² cables)
Rated current: 40A (Adapt to 6.0mm² cables)
Rated current: 60A (Adapt to 10.0mm² cables)
4. Withstand voltage: 3000V AC (1 Minutes)
5. Insulation resistance:>2000M Ω (normal state)
6. Working temperature: - 40 ℃~+125 ℃
7. Mechanical life: ≥ 500 times
8. Waterproof grade: IP67 (matching state)
9. Product meets environmental RoHS requirements
10. With or without high-voltage interlock (Optional)



part no code

series 04-HV XX X X-X XX-X 03
 High voltage
 01:1
 02:2
 03:3
 and so on
 0: Unlimited interlocking
 Y: high-handed
 X: Unlimited high-handed
 0: Not involved
 1: Shielding wire
 2: Unshielded wire

03: Serial number
 0: No distinction
 P: Plug
 S: Socket
 03: 3mm² Cable
 04: 4mm² Cable
 05: 5mm² Cable
 06: 6mm² Cable
 and so on
 X: X Key
 N: N
 W: W
 A: A
 Z: Z
 Y: Y
 00: 0.5-0.75mm² Cable
 02: 2.5mm² Cable



7	See List	Terminal blocks	2 PCS
6	XX105-02-00-01B	Install the bushing	4 PCS
5	XX105-02-00-05B	Interfacial apron	1 PCS
4	XX105-02-00-03B	2-core Socket shielding layer	1 PCS
3	XX105-02-00-02B	2-core Socket inner core shielding layer	1 PCS
2	XX105-02-00-04B	2-core Socket housing insulation layer	1 PCS
1	XX105-02-00-06B	2-core Socket dust cover	1 PCS
No	Part No	Part Name	Number

General Tolerance	Angle Tolerance
X ±0.5 .X ±0.2 .XX ±0.1	±1°
Unless otherwise specified, dimensions are in metric and tolerances are	
MATL: SEE-NOTES	
CUSTOMER-DRAWING	

HV Metal Connector

series	Part No	Drawing No	describe	Adapter cable	Terminal blocks
XXC105-EV-P2ZB	A1-XXC105S001	04-HV02Y1-002-S05	Socket with 2.5mm ² shielded wire terminal	2.5mm ²	XX106-02-00-03
	A1-XXC105S002	04-HV02Y1-06A-S05	Socket with 4-6mm ² shielded wire terminal	4~6mm ²	XX106-02-00-04
XXC105-EV-P2ZB	A1-XXC105S006	04-HV02Y1-002-S05-M1	Socket with 2.5mm ² shielded no wire terminal	2.5mm ²	
	A1-XXC105S008	04-HV02Y1-06A-S05-M1	Socket with 4-6mm ² shielded no wire terminal	4~6mm ²	

DESIGNER	ZsH	TITLE: XXC105 High Voltage Metal Connector		
CHECKED	ZsH	PARTS NO: XXC105-EV-P2ZB		
APPROVAL	Qilin		(SCALE): 1:1	(SHT): 1/1