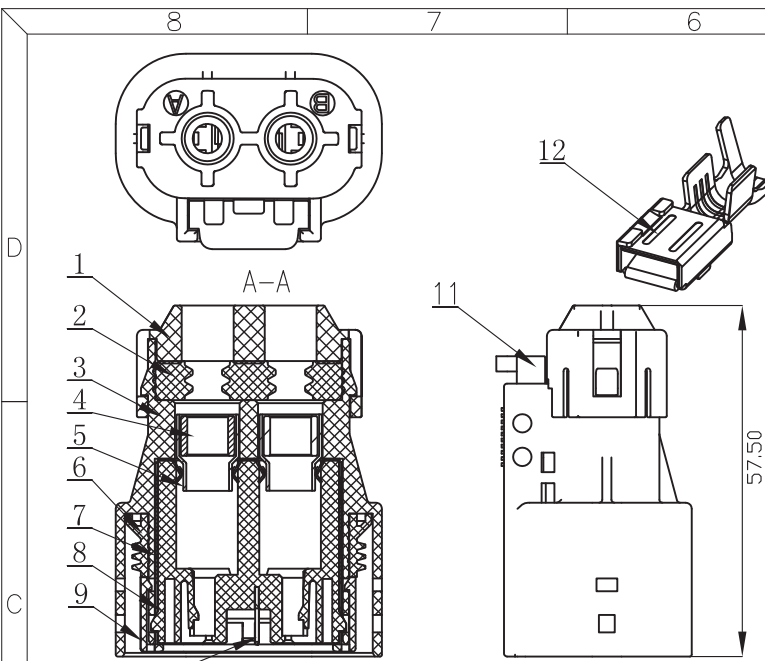
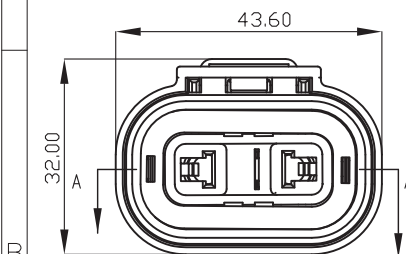


ECN NO.	REV	DATE	DESCRIPTION	MDF'D	APP'D
	A0	2022.5.15	Initial version	ZsH	Qilin



- Material: Contact: Copper alloy, silver plating
Housing: PA66+GF
Insulating plastic: nylon, flame retardant grade: UL94 V-0
Waterproof part: silicone rubber
- Rated voltage: 630V AC/DC
- Rated current: 20A (Adapt to 2.5mm² cables)
Rated current: 25A (Adapt to 4.0mm² cables)
Rated current: 40A (Adapt to 6.0mm² cables)
Rated current: 60A (Adapt to 10.0mm² cables)
- Withstand voltage: 3000V AC (1 Minutes)
- Insulation resistance: >2000M Ω (normal state)
- Working temperature: - 40 C ~ +125 C
- Mechanical life: ≥ 500 times
- Waterproof grade: IP67 (matching state)
- Product meets environmental RoHS requirements
- With or without high-voltage interlock (Optional)



part no code

04-11V XX X X-X XX-X 03

series 01:1
High voltage 02:2
03:3
and so on

0: Unlimited interlocking
Y: high-handed
N: Unlimited high-handed
0: Not involved
1: Shielding wire
2: Unshielded wire

03: Serial number
0: No distinction
P: Plug
S: Socket
03: 3mm² Cable
04: 4mm² Cable
05: 5mm² Cable
06: 6mm² Cable
and so on
Z: Z 00:0.5-0.75mm² Cable
Y: Y 02: 2.5mm² Cable

12	see list1	Terminal blocks	2 PCS
11	XX105-01-00-05B	2-core Secondary locking	1 PCS
10	XX105-01-00-10B	2-core Short circuit pin	1 PCS
9	XX105-01-00-11B	2-core Plug cover plate	1 PCS
8	XX105-01-00-09B	2-core Plug inner core insulator	1 PCS
7	XX105-01-00-08B	2-core Plug shielding layer	1 PCS
6	XX105-01-00-01B	2-core Plug sealing rubber ring	1 PCS
5	see list1	2-core Plug external crimping sleeve	2 PCS
4	see list1	2-core Plug inner crimping sleeve	2 PCS
3	XX105-01-00-02B	2-core Plug housing insulator	1 PCS
2	see list1	Tail suture body	1 PCS
1	see list1	Plug tail cover	1 PCS
No	Part No	Part Name	Number

list1

series	Part No	Material No.	Adapter	Diameter/mm	Terminal blocks	Tail suture body	Plug tail cover	inner crimping sleeve	external crimping sleeve
XXC105-EV-S2TB	A1-XXC105P012	04-HV02Y1-002-P05-M1	2.5mm ²	4.3~4.8	XX106-01-00-05	XX105-01-00-04E	XX105-01-00-03D	XX105-01-00-06C	
	A1-XXC105P013	04-HV02Y1-004-P05-M1	4.0mm ²	4.7~5.8	XX106-01-00-06	XX105-01-00-04H	XX105-01-00-03B	XX105-01-00-06B	XX105-01-00-07B
	A1-XXC105P014	04-HV02Y1-066-P05-M1	4~6mm ²	5.8~6.9	XX106-01-00-06	XX105-01-00-04H	XX105-01-00-03B	XX105-01-00-06B	
	A1-XXC105P015	04-HV02Y2-002-P05-M1	2.5mm ²	2.7~3.7	XX106-01-00-05	XX105-01-00-04D			
	A1-XXC105P016	04-HV02Y2-004-P05-M1	4.0mm ²	2.7~3.7	XX106-01-00-05	XX105-01-00-04D			
	A1-XXC105P017	04-HV02Y2-006-P05-M1	6mm ²	4.6~5.5	XX106-01-00-06	XX105-01-00-04E			
A1-XXC105P018	04-HV02Y2-066-P05-M1	4~6mm ²	4~4.8	XX106-01-00-06	XX105-01-00-04D				
XXC105-EV-S2TB	A1-XXC105P001	04-HV02Y1-002-P05	2.5mm ²	4.3~4.8	XX106-01-00-05	XX105-01-00-04E	XX105-01-00-03D	XX105-01-00-06C	
	A1-XXC105P002	04-HV02Y1-004-P05	4.0mm ²	4.7~5.8	XX106-01-00-06	XX105-01-00-04E	XX105-01-00-03D	XX105-01-00-06B	XX105-01-00-07B
	A1-XXC105P003	04-HV02Y1-066-P05	4~6mm ²	5.8~6.9	XX106-01-00-06	XX105-01-00-04H	XX105-01-00-03B	XX105-01-00-06B	
	A1-XXC105P004	04-HV02Y2-002-P05	2.5mm ²	2.7~3.7	XX106-01-00-05	XX105-01-00-04D			
	A1-XXC105P005	04-HV02Y2-004-P05	4.0mm ²	2.7~3.7	XX106-01-00-05	XX105-01-00-04D			
	A1-XXC105P006	04-HV02Y2-006-P05	6mm ²	4.6~5.5	XX106-01-00-06	XX105-01-00-04E			
A1-XXC105P007	04-HV02Y2-066-P05	4~6mm ²	4~4.8	XX106-01-00-06	XX105-01-00-04D				

General Tolerance

X ±0.5
.X ±0.2
.XX ±0.1

Angle Tolerance

±1°

Unless otherwise specified, dimensions are in metric and tolerances are

MATL: SEE-NOTES

CUSTOMER-DRAWING

POWER DYNAMICS INC.
145 Algonquin Parkway, Whippany, NJ 07981
Phone: 1-973-560-0019 e-mail: sales@powerdynamics.com www.powerdynamics.com

DESIGNER	ZsH	TITLE:	XX105 High Voltage Plastic Connector
CHECKED	ZsH	PARTS NO:	A1-XXC105P00X
APPROVAL	Qilin	(UNIT):	mm (SCALE): 1:1 (SHT): 1/1