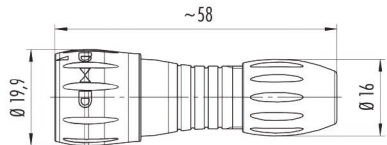
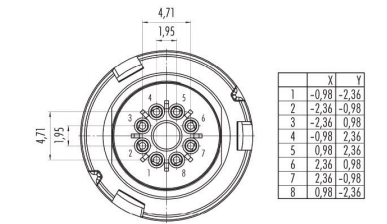
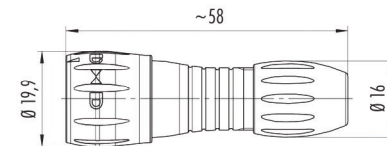


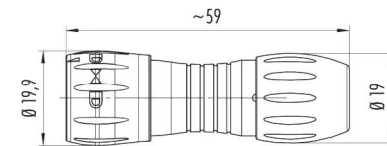
# Specifications



Cable Connector  
P/N PD-HEC2-MCC-4  
Cable Dia: 2.5-4mm



Cable Connector  
P/N PD-HEC2-MCC-6  
Cable Dia: 4-6mm



Cable Connector  
P/N PD-HEC2-MCC-8  
Cable Dia: 6-8mm

# Specifications

**Operating Temperature:**  
-25°C to +85°C

**Body & Housing:**  
PA UL-94-HB / PA UL-94-V-0

**Termination:**  
PC, Solder

**Contact:** Brass  
**Plating:** Gold

**Contact Ratings:**  
Power: 2A, 175V per contact

**Contacts:**  
8

**Protection:**  
IP67  
Mated - Cable connector  
Unmated/Mated - Panel connector

**Contact Resistance:**  
≤ 15 mΩ

**Mating Cycles:**  
>5000

**Approved Wire Gauge**  
24 AWG max

**Locking Type**  
Bayonet

# Harsh Environment Series 2



up to  
**2 Amps**  
per contact

**IP67 Unmated!  
Bayonet Lock!**

Visit [www.powerdynamics.com](http://www.powerdynamics.com) for  
detailed specifications

**IP67** rated

**PDI**<sup>®</sup>  
Power Dynamics, Inc.

# Locking Cable Connectors

# Panel Connectors

# Specifications



Cable Connector  
P/N PD-HEC2-MCC-4



Cable Connector  
P/N PD-HEC2-MCC-6



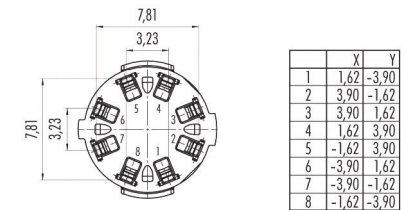
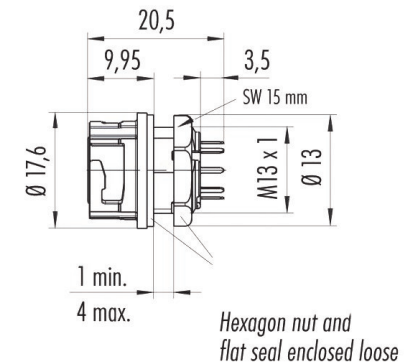
Cable Connector  
P/N PD-HEC2-MCC-8



Panel Connector - PC Pins  
IP67 Unmated  
P/N PD-HEC2-FPC-P



Panel Connector - Solder  
IP67 Unmated  
P/N PD-HEC2-FPC-S



Panel Connector  
P/N PD-HEC2-FPC-P  
P/N PD-HEC2-FPC-S

Visit [www.powerdynamics.com](http://www.powerdynamics.com) for detailed specifications

**IP67** rated

7 E Frederick Pl, Ste 100  
Cedar Knolls, NJ 07927  
973-560-0019 phone

[www.powerdynamics.com](http://www.powerdynamics.com)

**PDI**<sup>®</sup>  
Power Dynamics, Inc.